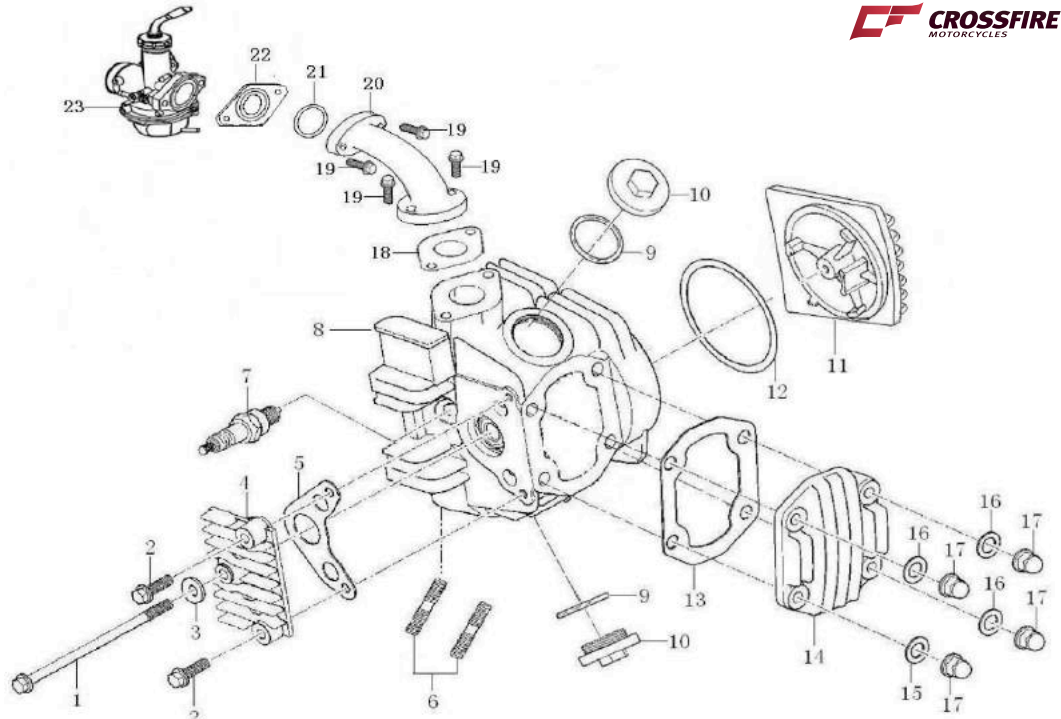


## CF70 Kick Start Engine Catalogue

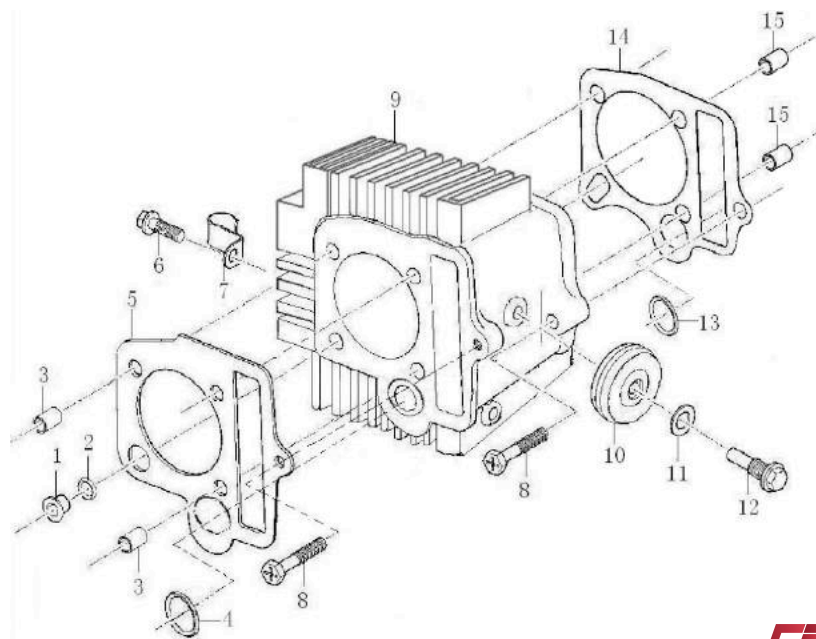
### CYLINDER HEAD ASSY. (S1)

REF.No.	PART No.	DESCRIPTION	QTY
1	91192-D002-00000X	BOLT M6×110	1
2	B166740A06002070X	BOLT M6×20	2
3	93301-70651012000	WASHER 6.5×1×12	1
4	11228-D002-00000W	RIGHT COVER, CYLINDER HEAD	1
5	90203-D002-0000	GASKET,R.CYLINDER HEAD COVER	1
6	91138-I015-00000X	BOLT M6×32	2
7	81300-G011-0000	SPARK PLUG	1
8	1122B-D002-00000W	CYLINDER HEAD ASSY	1
9	90101-20296000320	O-RING 29.6×3.2	2
10	11230-D002-00000W	COVER, VALVE CHAMBER	2
11	11227-D002-02000A	LEFT COVER, CYLINDER HEAD	1
12	90202-D002-0000	GASKET,L.CYLINDER HEAD COVER	1
13	90201-D002-0000	GASKET, CYLINDER HEAD UPPER COVER	1
14	11226-D002-00000W	UPPER COVER, CYLINDER HEAD	1
15	93301-80622013000	WASHER 6.2×2×13	1
16	93301-30622013000B	WASHER 6.2×2×13	3
17	91201-H021-00000X	NUT M6	4



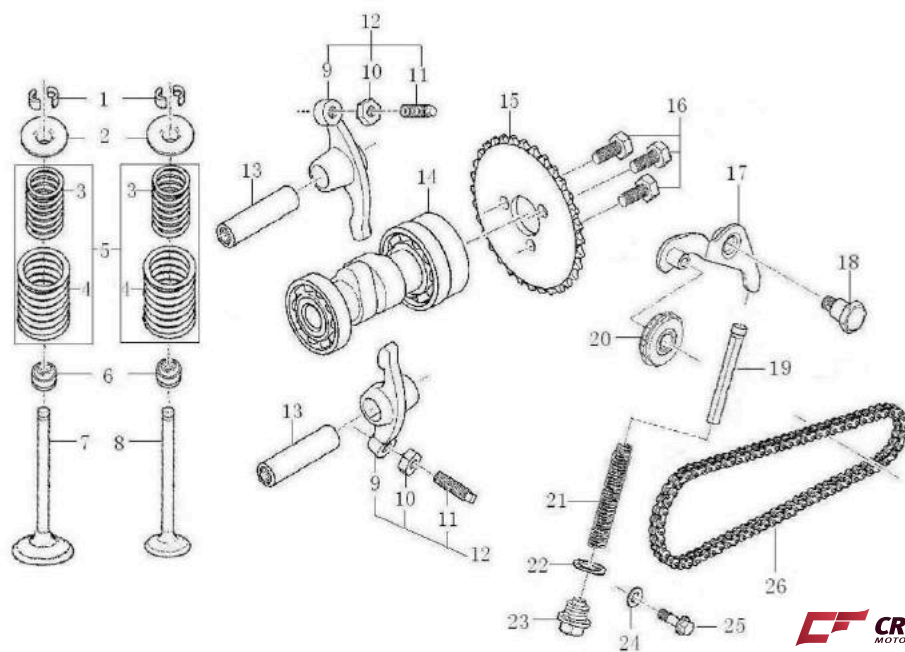
### CYLINDER ASSY. (S2)

REF.No.	PART No.	DESCRIPTION	QTY
1	11235-D002-0000	BUSH 9.5	1
2	90102-D002-0001	RECTANGLE RING 8×10.8×1.5	1
3	91521-08001400000	PIN 8×14×6.3	2
4	90102-D002-0003	RECTANGLE RING 14×18.2×2.5	1
5	9022B-D002-0000	GASKET ASSY,CYLINDER HEAD	1
6	B166740A06001670X	BOLT M6×16	1
7	11003-D002-00000X	CLIP, HIGH VOLTAGE WIRE	1
8	91113-D002-00000X	BOLT M6×23	2
9	1110B-D002-00000Y	CYLINDER BLOCK ASSEMBLY	1
10	1533A-HZ30-0000	GUIDE CHAIN ROLLER SET	1
11	93301-70851514000	WASHER 8.5×1.5×14	1
12	15302-D002-00000X	GUIDE CHAIN ROLLER PIN	1
13	90102-D002-0002	RECTANGLE RING 11.5×16×2.5	1
14	90205-D002-0000	GASKET,CYLINDER BLOCK	1
15	91521-08001200063	PIN 8×12×6.3	2



### VALVE ASSY. (S3)

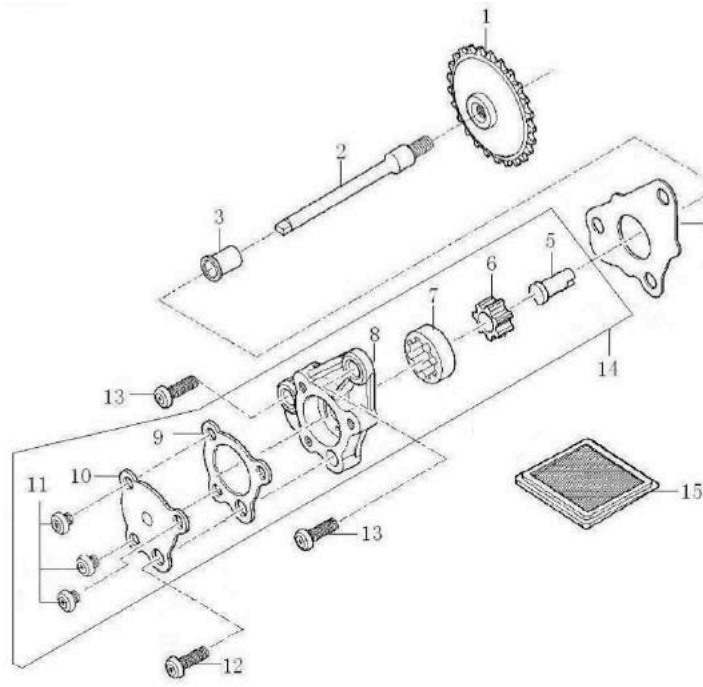
REF.No.	PART No.	DESCRIPTION	QTY
1	15707-D002-0000	VALVE KEEPER	4
2	15705-D002-0000	SPRING SEAT	2
3	15704-D002-0200	VALVE INNER SPRING	2
4	15703-D002-0000	VALVE OUTER SPRING	2
5	15710-D002-0200	INNER SPRING,ASSY	2
6	1572B-D002-0000	SEAL, VALVE STEM	2
7	15701-D002-0000	INTAKE VALVE	1
8	15702-D002-0000	EXHAUST VALVE	1
9	15401-D002-0000	ROCKER ARM	2
10	15403-D002-0000	NUT,VALVE CLEARANCE	2
11	15404-D002-0000	SCREW, VALVE CLEARANCE	2
12	1540A-D002-0000	ROCKER ARM ASSEMBLY, VALVE	2
13	15402-D002-0000	ROCKER SHAFT	2
14	15100-D002-0000	GAMP SHAFT COMP	1
15	15301-D002-0000	TIMING DRIVEN SPROCKET	1
16	91191-D002-0000	BOLT M5×12	3
17	1556B-D002-0000	CHAIN ADJUSTING SET	1
18	15505-D002-0000	AXLE, TENSIONER LEVER	1
19	1555B-D002-0000	CHAIN TYHT SET	1
20	1554B-D002-0000	PLUG OF TIGHTENER	1
21	15503-D002-0000	SPRING	1
22	93301-71451520000	WASHER 14.5×1.5×20	1
23	91105-D002-00000X	SEALING PLUG M14×1.5	1
24	93301-70621513000	WASHER 6.2×1.5×13	1
25	B166740006001870X	BOLT M6×18	1
26	1532B-D002-0000	SPROKET CHAIN	1





### OIL PUMP ASSY. (S7)

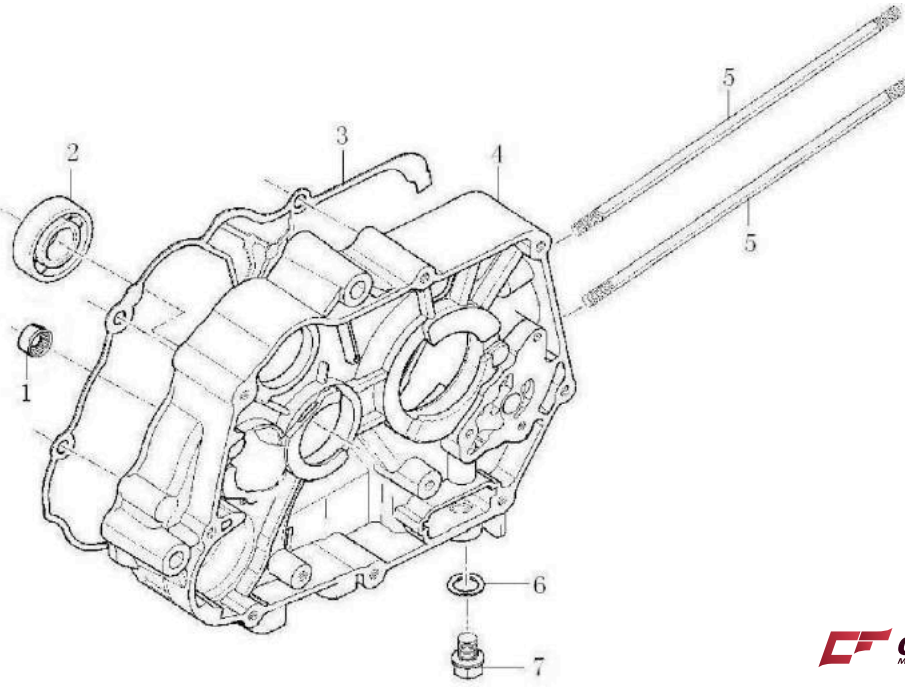
REF.No.	PART No.	DESCRIPTION	QTY
1	1432B-D002-0000	HUB DUMP CHAIN SPROCKET , OIL PUMP	1
2	14302-D002-0000	OIL PUMP SPROCKET SHAFT	1
3	14304-D002-0000	BUSH, SPROCKET	1
4	90210-D002-0000	GASKET,OIL PUMP	1
5	14107-G011-0000	SHAFT,OIL PUMP	1
6	14111-D002-0000	INNER ROTOR, OIL PUMP	1
7	14112-D002-0000	OUTER ROTOR, OIL PUMP	1
8	14110-D002-0000	OIL PUMP BODY	1
9	90221-D002-0000	GASKET,OIL PUMP COVER	1
10	14108-G011-0000	OIL PUMP COVER	1
11	B008180005001020B	SCREW M5×10	3
12	B008230006002220B	SCREW M6×22	1
13	B008230006001620B	SCREW M6×16	2
14	14100-D002-0000	OIL PUMP ASSY	1
15	1431B-D002-0000	STRAINER,OIL FILTER	1



**CROSSFIRE**  
MOTORCYCLES

### CRANKCASE, RH (S8)

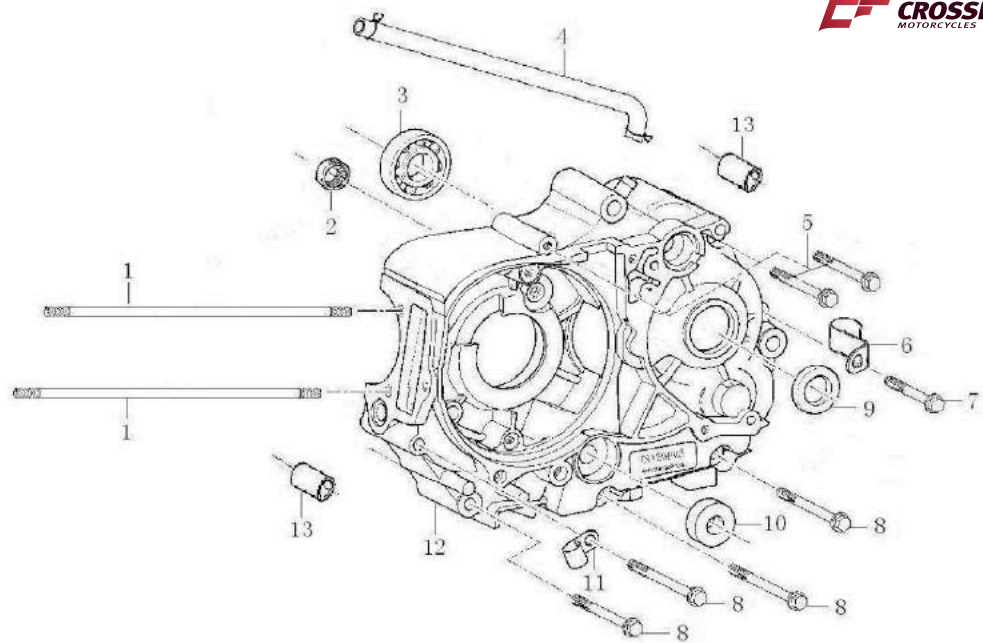
REF.No.	PART No.	DESCRIPTION	QTY
1	92102-0NK13.52212	BEARING(NK13.5×22×12)	1
2	92102-00000006203	BEARING (6203)	1
3	90208-D002-0000	GASKET,CRANKCASE	1
4	1222B-F004-000289	RIGHT CRANKCASE BLOCK	1
5	91102-D002-0000	CYLINDER STUD BOLT B	2
6	93301-71242020000	WASHER 12.4×2×20	1
7	91103-I008-00000X	OIL DRAIN PLUG	1



**CROSSFIRE**  
MOTORCYCLES

### CRANKCASE, LH (S9)

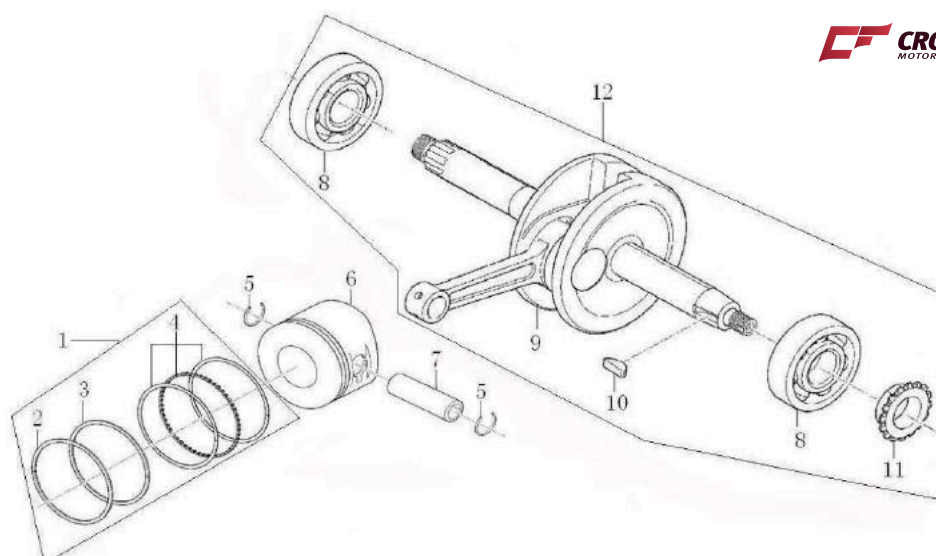
REF.No.	PART No.	DESCRIPTION	QTY
1	91101-D002-0000	CYLINDER STUD BOLT A	2
2	92102-0NK13.52212	BEARING(NK13.5×22×12)	1
3	92102-00000006203	BEARING (6203)	1
4	12130-G011-0102	BREATH TUBE	1
5	B166740A06006070X	BOLT M6×60	2
6	11003-D002-00000X	CLIP, HIGH VOLTAGE WIRE	1
7	B166740A06004570X	BOLT M6×45	1
8	B166740A06006570X	BOLT M6×65	4
9	90303-D002-0000	OIL SEAL 17×29×5	1
10	90301-D002-0000	OIL-SEAL 11.6×24×10	1
11	12108-D002-00000X	CLIP, OVERFLOW PIPE	1
12	1212B-F004-000189	LEFT CRANKCASE BLOCK	1
13	91521-10001400000	PIN 10×14	2



**CROSSFIRE**  
MOTORCYCLES

### CRANKSHAFT / PISTON ASSY. (S10)

REF.No.	PART No.	DESCRIPTION	QTY
1	1310A-D002-0000	PISTON RING COMP	1
2	13103-D002-0000	PISTON RING 1	1
3	13104-D002-0000	PISTON RING 2	1
4	13120-D002-0000	OIL RING ASSY	1
5	91401-D002-0000	CHECK RING, PISTON PIN	2
6	13101-D002-0000	PISTON	1
7	13102-D002-0000	PIN PISTON	1
8	92102-00000006304	BEARING (6304)	2
9	13220-D002-0000	CONNECTING ROD COMP 3	1
10	91601-D002-0000	SEMICIRCULAR KEY	1
11	13222-D002-0000	HUB DUMP CHAIN SPROCKET	1
12	1320B-D002-0000	CRANKSHAFT CONNECTING-ROD ASSY	1



**CROSSFIRE**  
MOTORCYCLES



